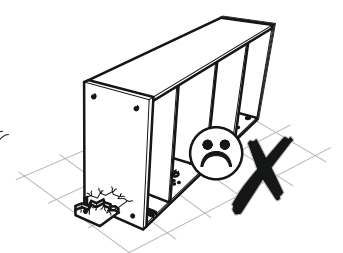
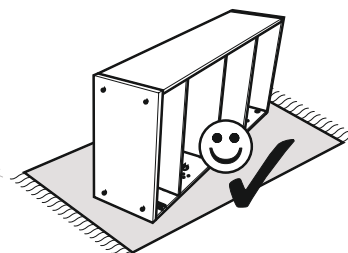
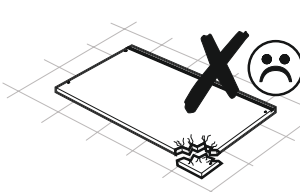
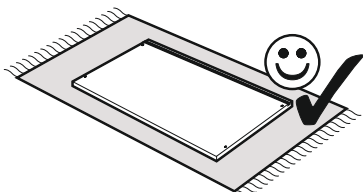
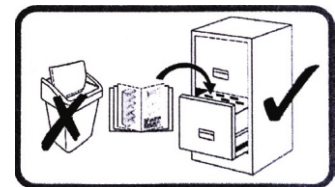
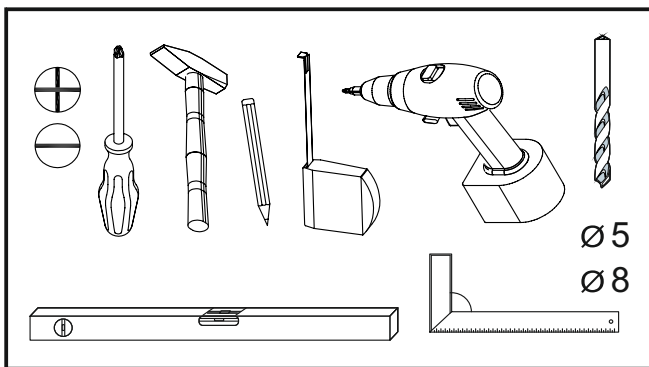
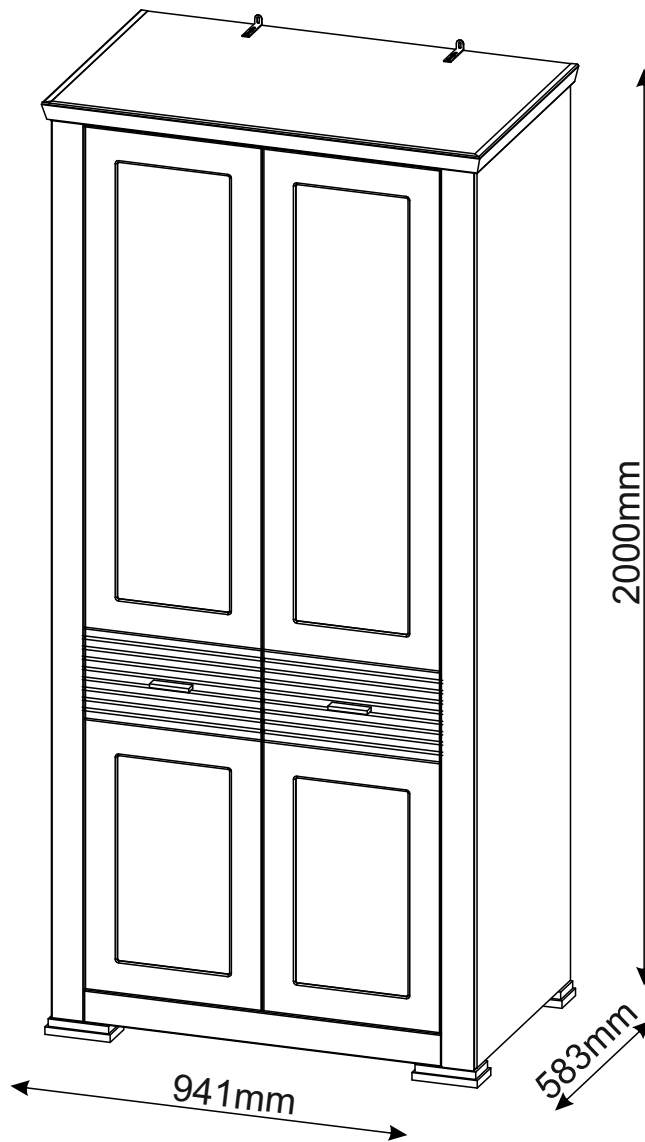
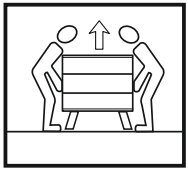
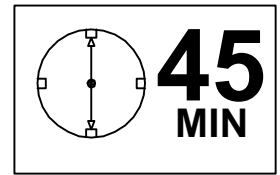
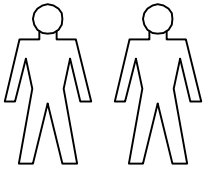
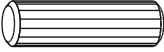
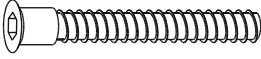




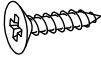
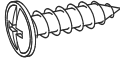
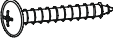
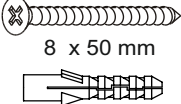


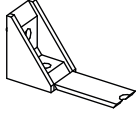


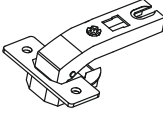
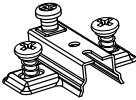
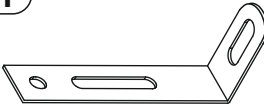

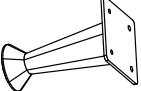


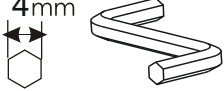
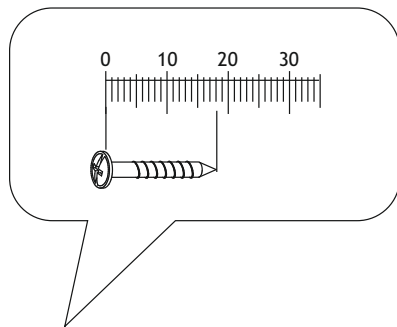


# Agnes Wardrobe 2D



# Agnes Wardrobe 2D


<b>A0</b> 8 x 30mm <b>x18</b> 	<b>B2</b> 7 x 70 mm <b>x4</b> 	<b>C0</b>  <b>x8</b>
<b>C1</b>  16mm <b>x16</b>	<b>C2</b>  <b>x16</b>	<b>D0</b> 3 x 15 mm  <b>x40</b>
<b>D10</b> 4 x 16 mm  <b>x16</b>	<b>D17</b>  3,5 x 16 mm <b>x56</b>	<b>D18</b>  4.2 x 30 mm <b>x8</b>
<b>E4</b> 5 x 50 mm 8 x 50 mm  <b>x2</b>	<b>F0</b>  <b>x22</b>	<b>F1</b>  <b>x12</b>
<b>F2</b>  <b>x4</b>	<b>F3</b>  <b>x2</b>	<b>F6</b>  L-870 0 <b>x1</b>
<b>G8A</b>  <b>x8</b>	<b>G8B</b>  <b>x8</b>	<b>I1</b>  <b>x2</b>
<b>L35</b>  <b>x2</b>	<b>T8</b>  <b>x1</b>	<b>U0</b>  <b>x2</b>
<b>U2</b>  <b>x8</b>	<b>Z</b> 4mm  <b>x1</b>	

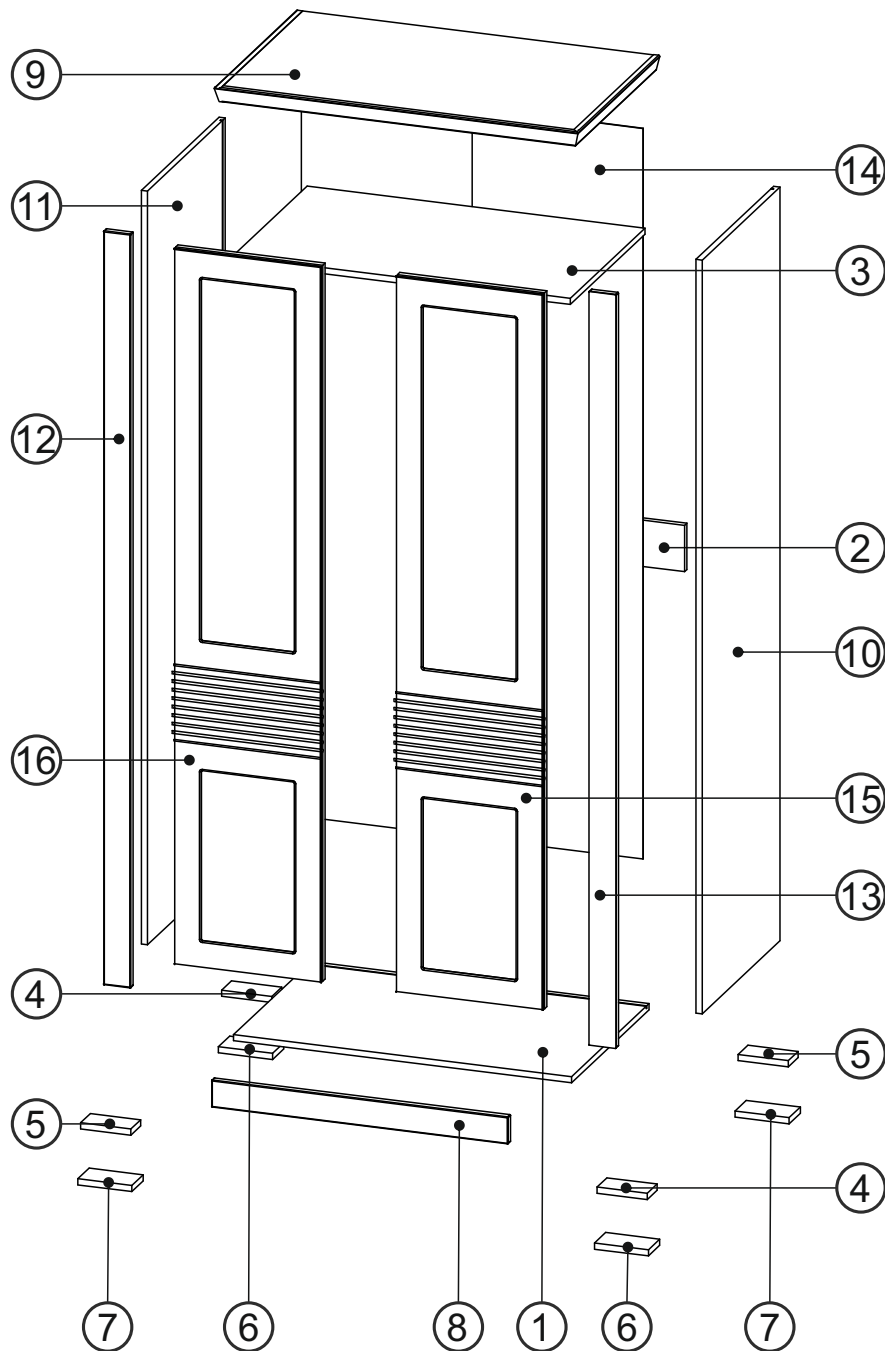


# Agnes Wardrobe 2D

①	875	552.5	16	x1	1/3
②	875	120	16	x1	1/3
③	875	531	16	x1	1/3
④	130	70	16	x2	1/3
⑤	130	70	16	x2	1/3
⑥	140	80	16	x2	1/3

⑦	140	80	16	x2	1/3
⑧	768	70	18	x1	1/3
⑨	941	583	40	x1	1/3
⑩	1952	553	16	x1	2/3
⑪	1952	553	16	x1	2/3
⑫	1928	70	18	x1	2/3

⑬	1928	70	18	x1	2/3
⑭	1892	885	3	x1	2/3
⑮	1854	381	16	x1	3/3
⑯	1854	381	16	x1	3/3
					1/3



1

A0

8 x 30mm

x18



C1

16mm

x16



C2

x16



D0

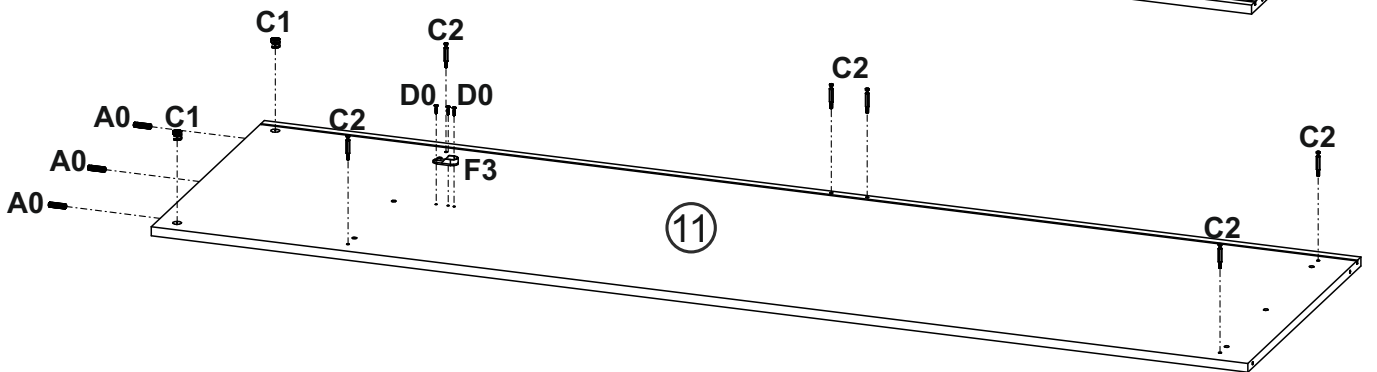
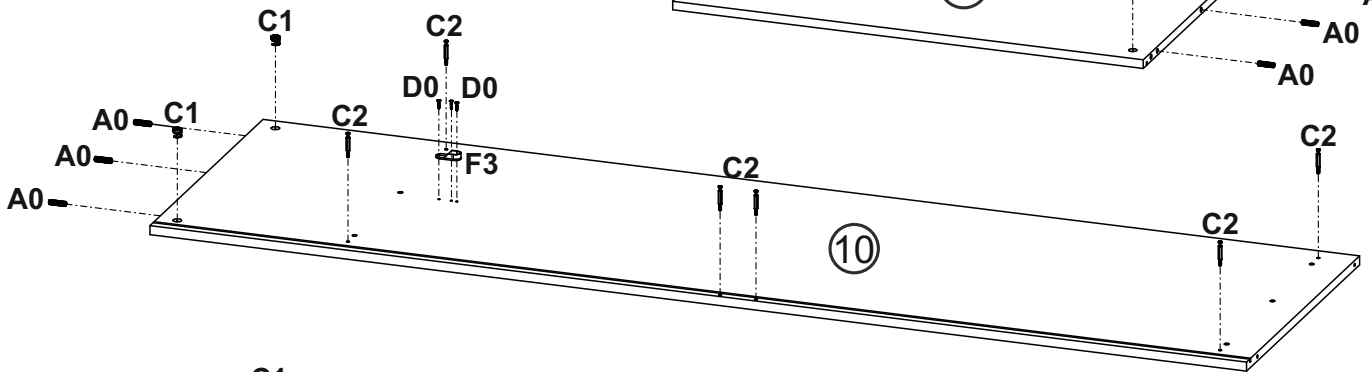
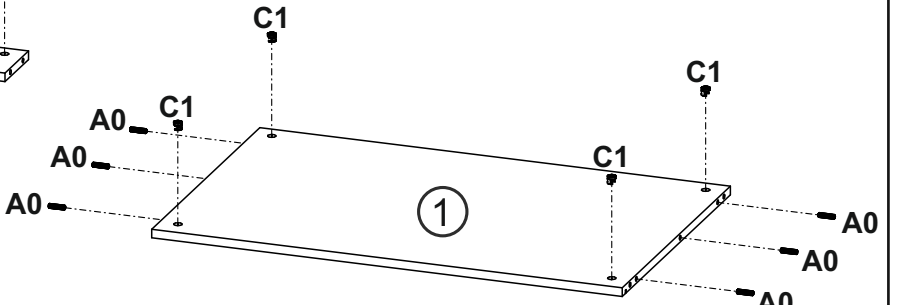
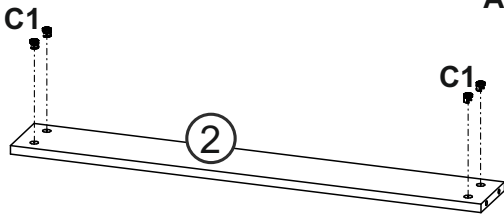
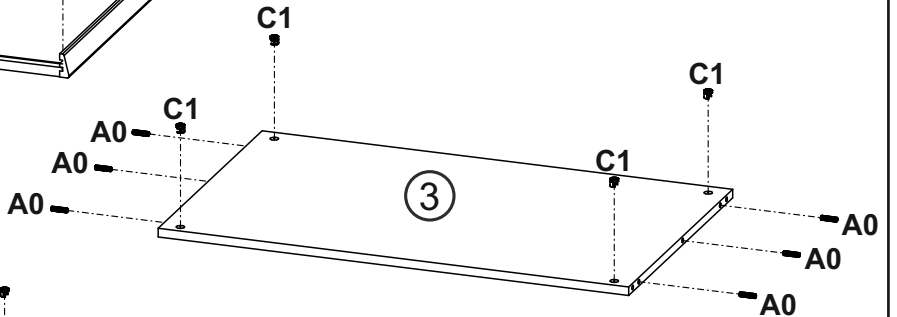
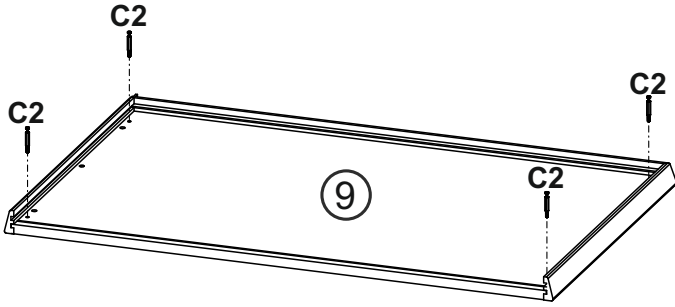
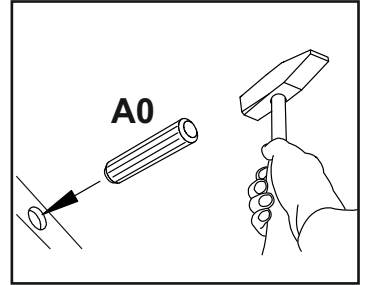
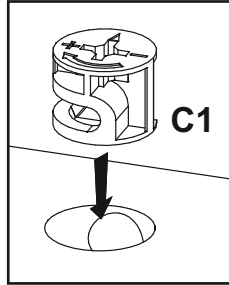
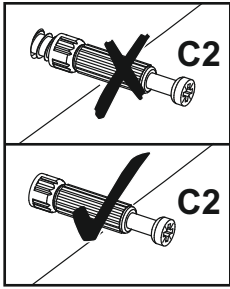
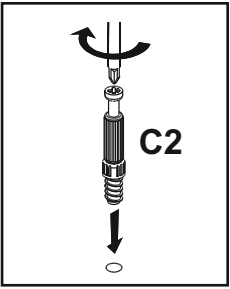
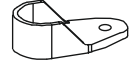
3 x 15 mm

x6


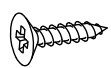
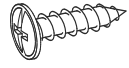


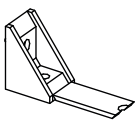
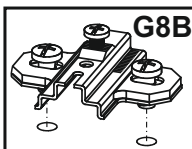

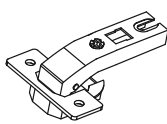
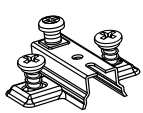


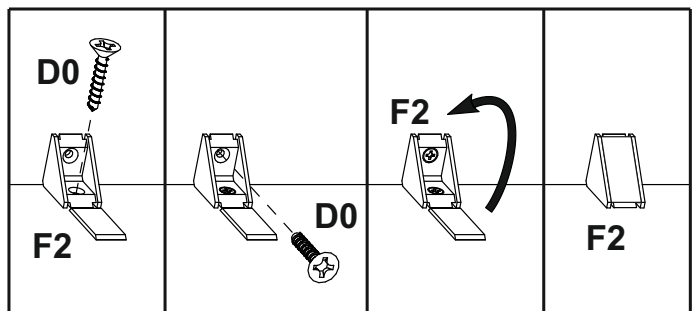
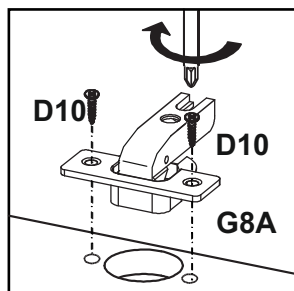
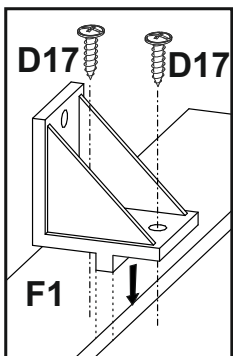
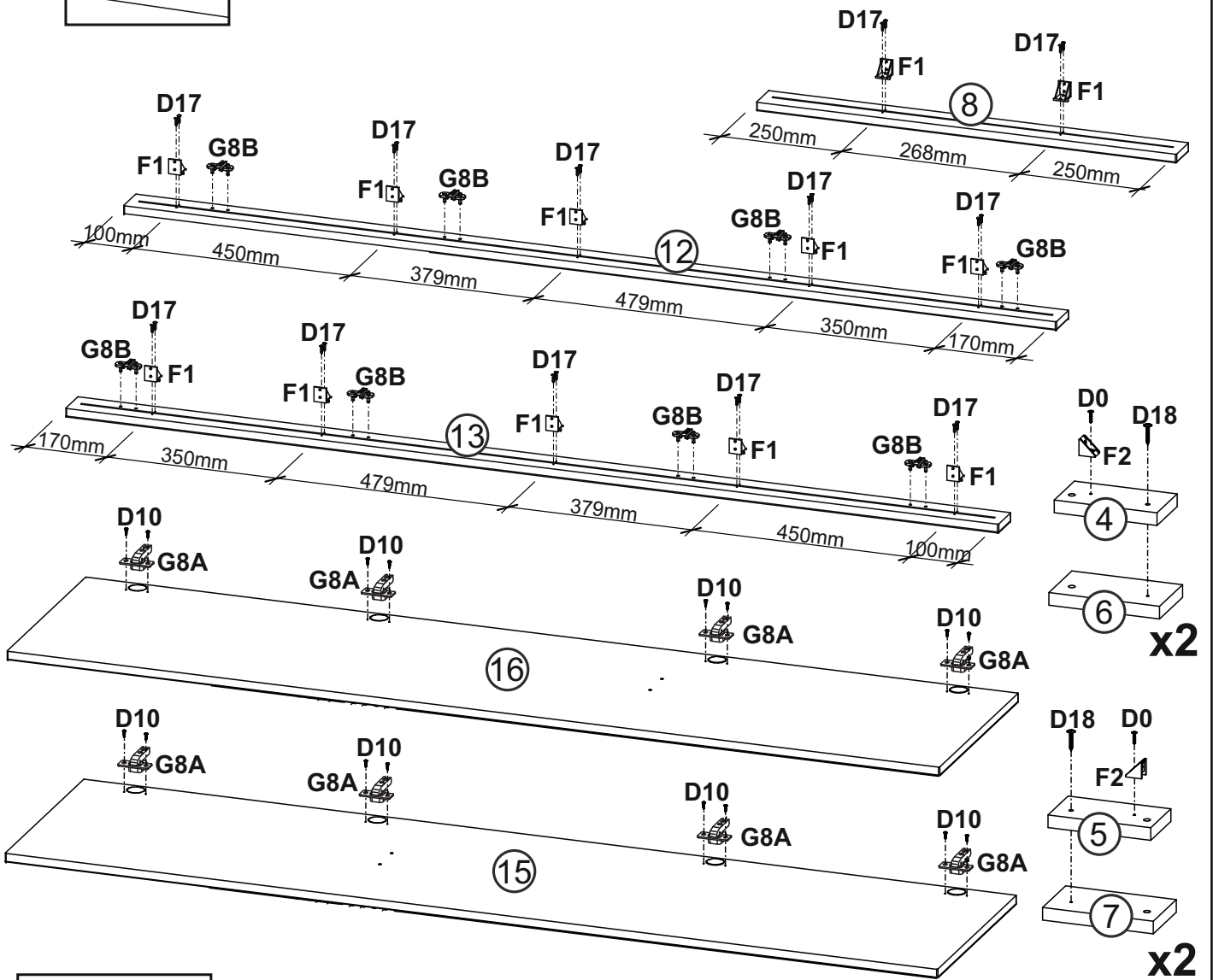
F3

x2



# 2

<b>D0</b> 3 x 15 mm 	<b>x4</b>	<b>D10</b> 4 x 16 mm 	<b>x16</b>	<b>D17</b>  3,5 x 16 mm	<b>x24</b>
<b>D18</b>  4.2 x 30 mm	<b>x4</b>	<b>F1</b> 	<b>x12</b>	<b>F2</b> 	<b>x4</b>
		<b>G8A</b> 	<b>x8</b>	<b>G8B</b> 	<b>x8</b>



# 3

**B2**

7 x 70 mm

**x4**



**D0**

3 x 15 mm

**x4**

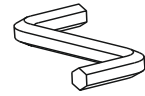


**U2**

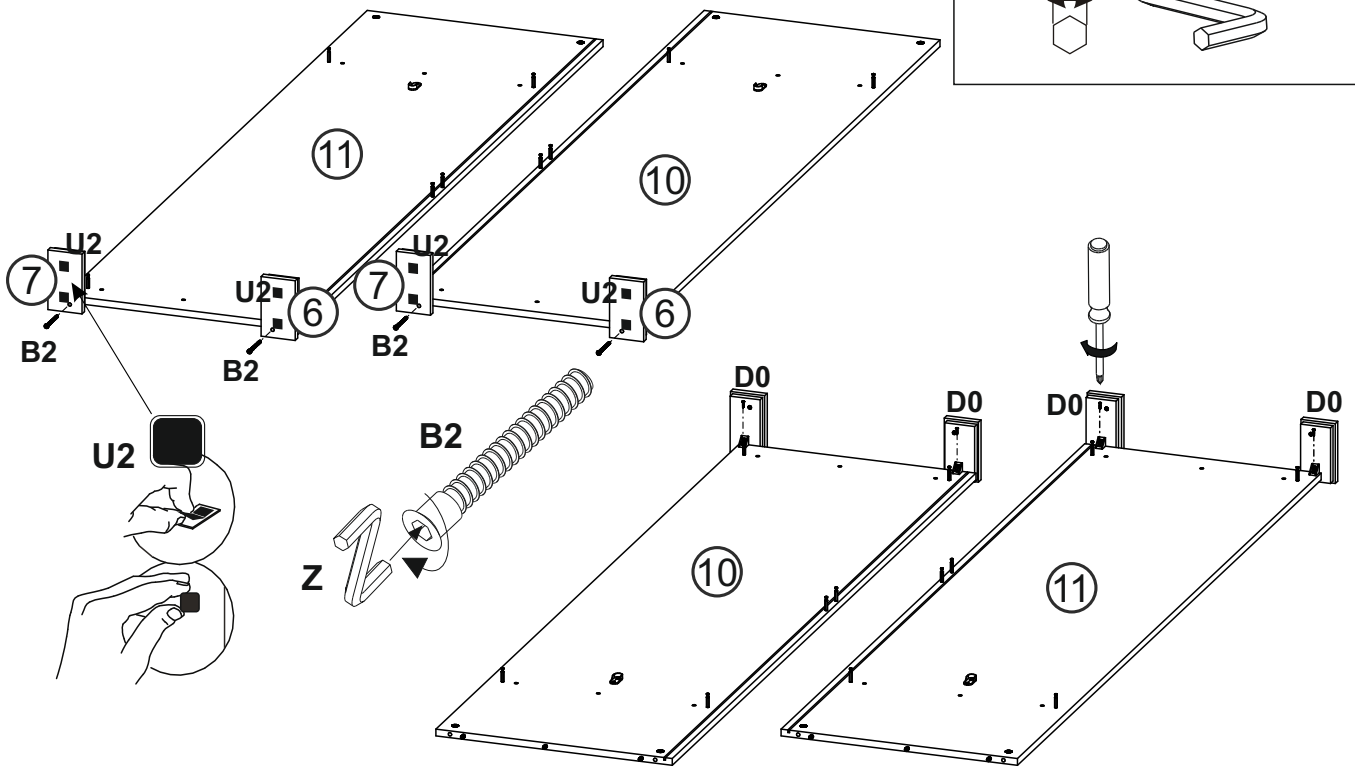


**x8**

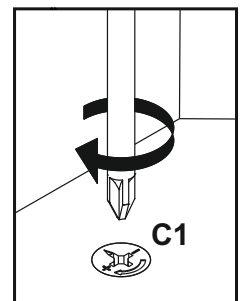
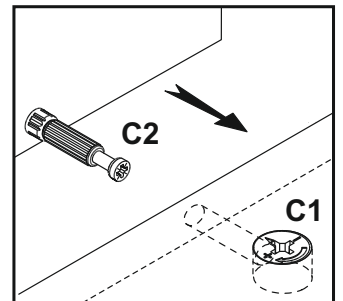
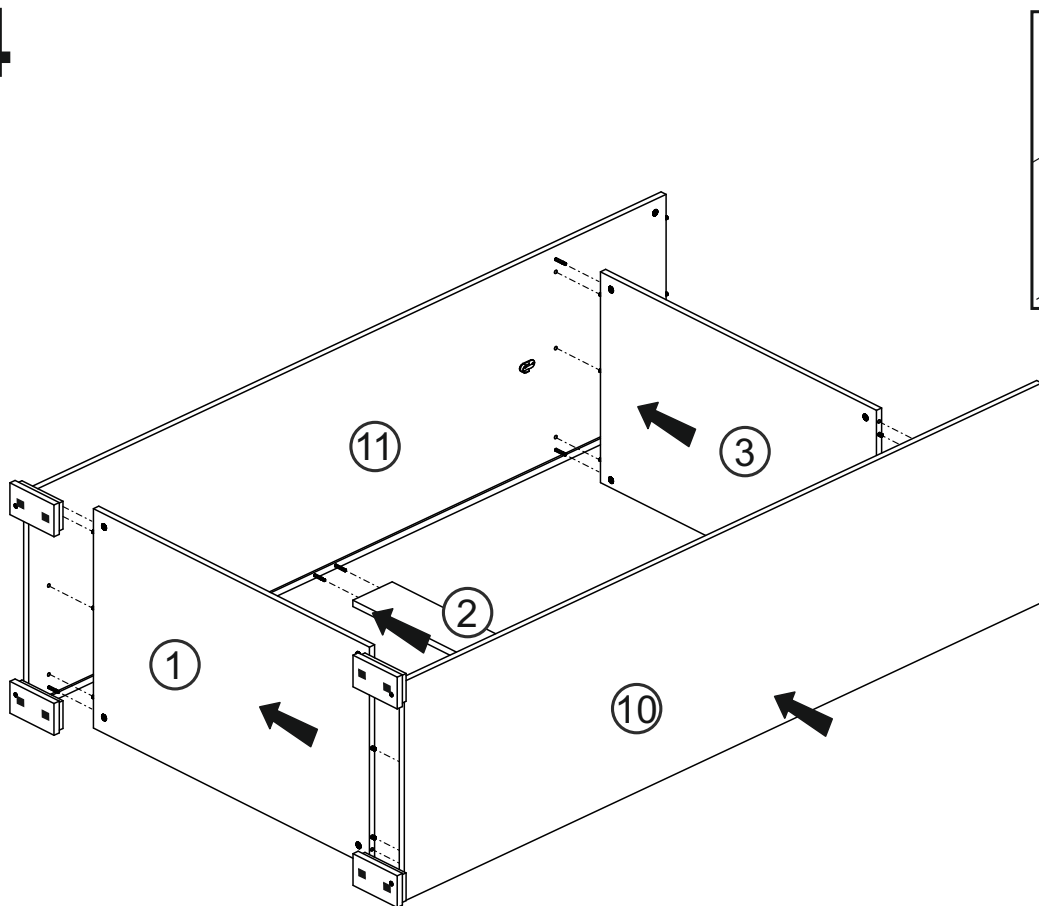
**Z**



**x1**



# 4



# 5

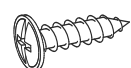
**(D0)**

3 x 15 mm

**x4**



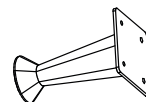
**(D17)**



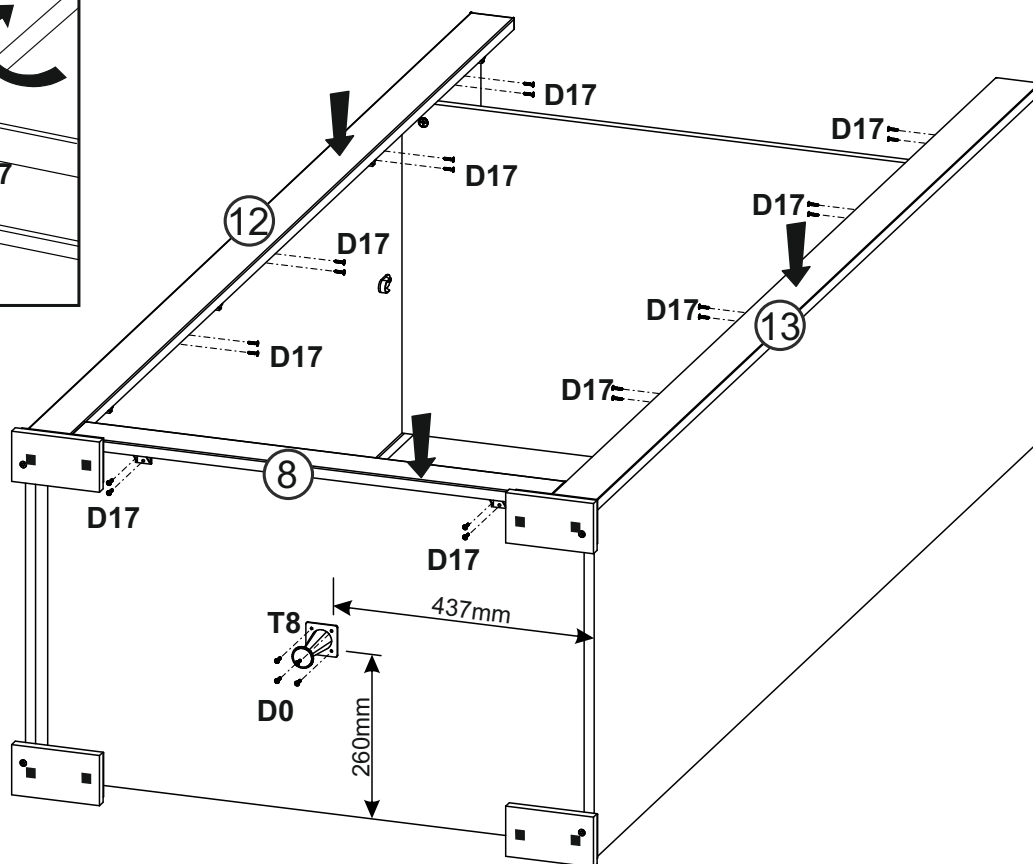
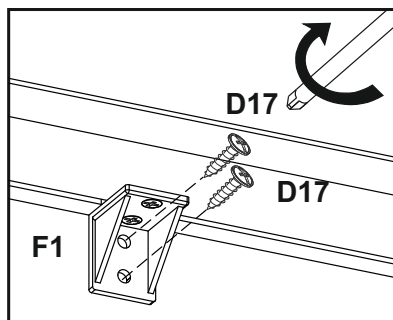
3,5 x 16 mm

**x24**

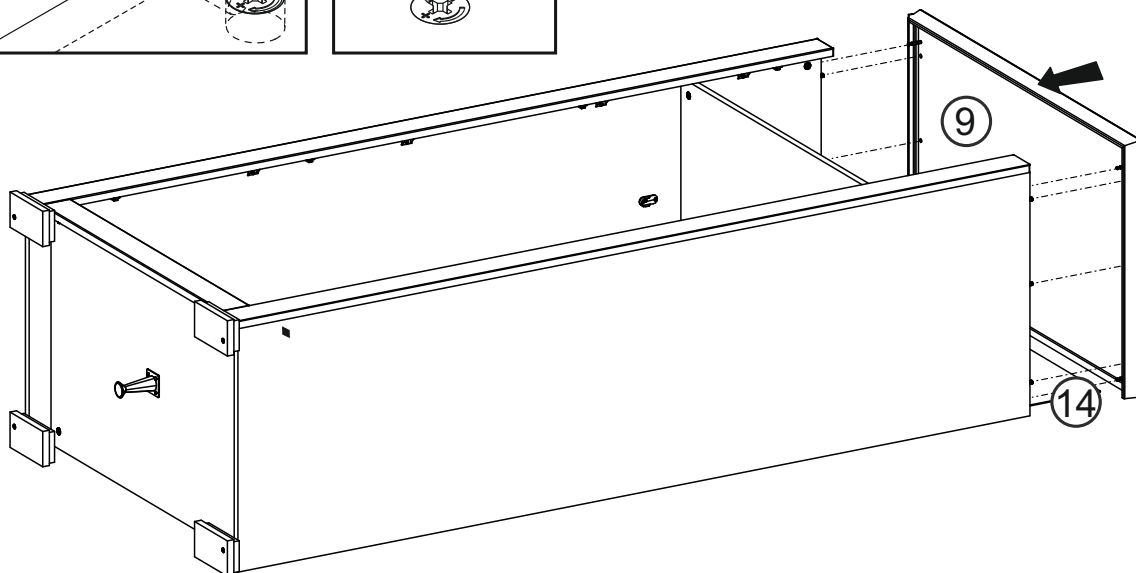
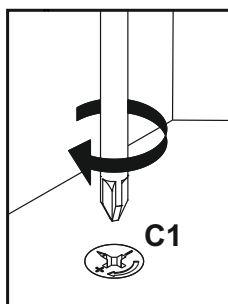
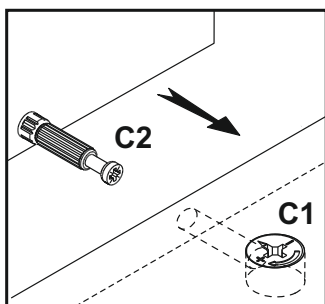
**(T8)**



**x1**



# 6



# 7

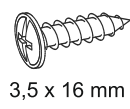
**D0**

3 x 15 mm

**x22**



**D17**



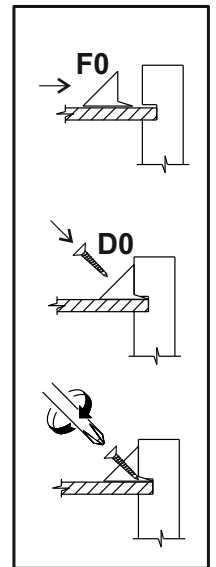
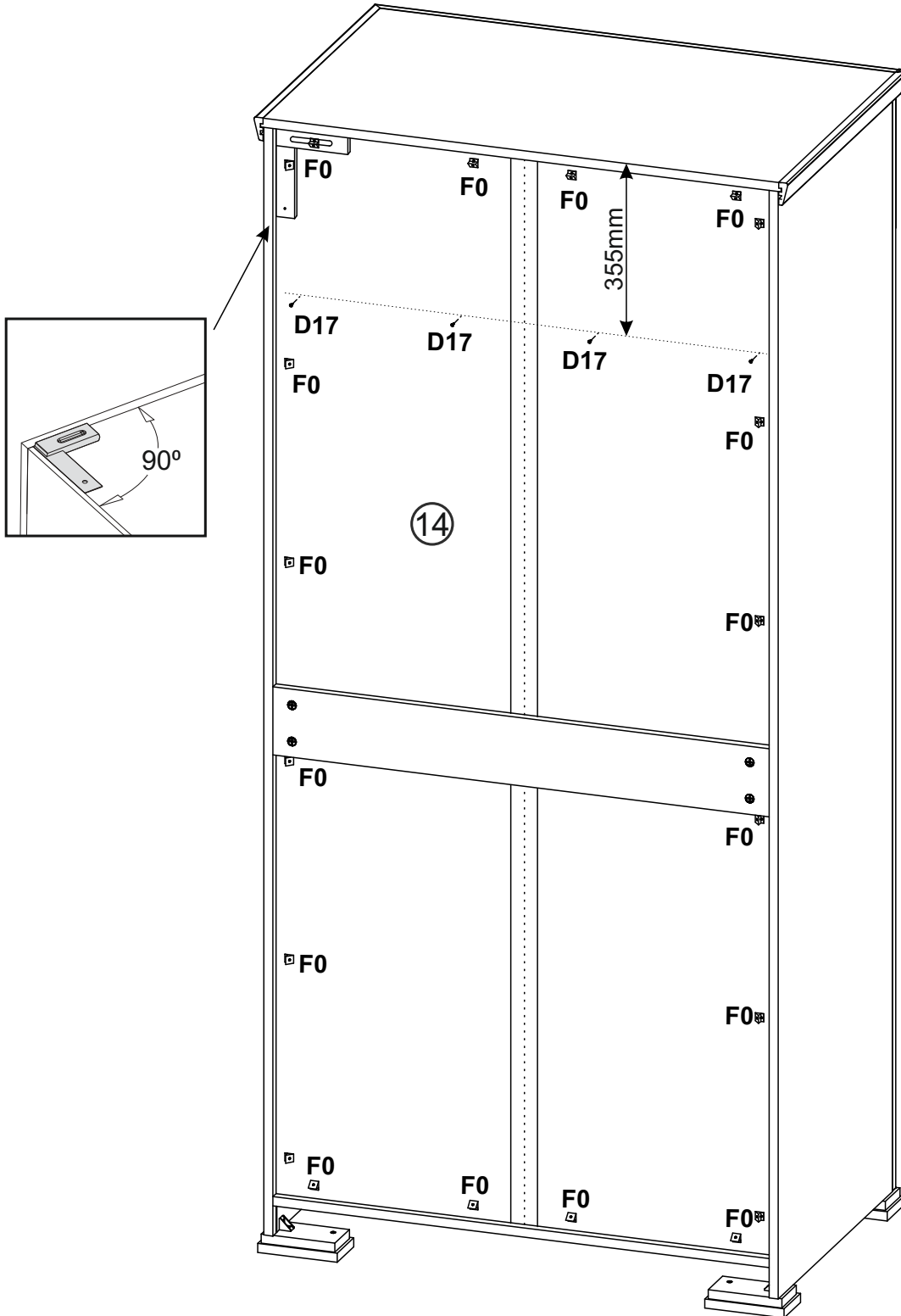
3,5 x 16 mm

**x4**

**F0**



**x22**





# 8

C0



x8

F6



L-870

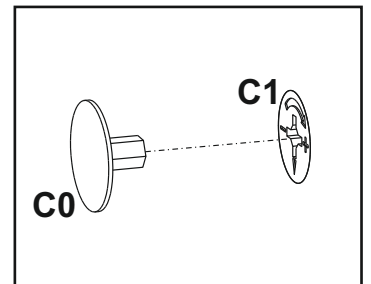
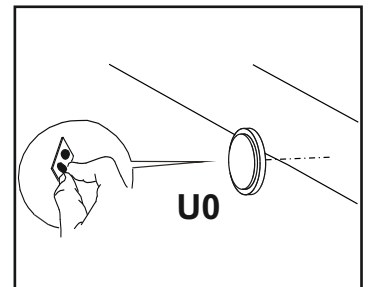
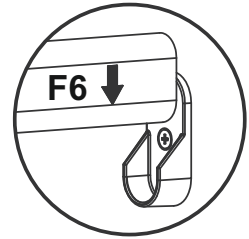
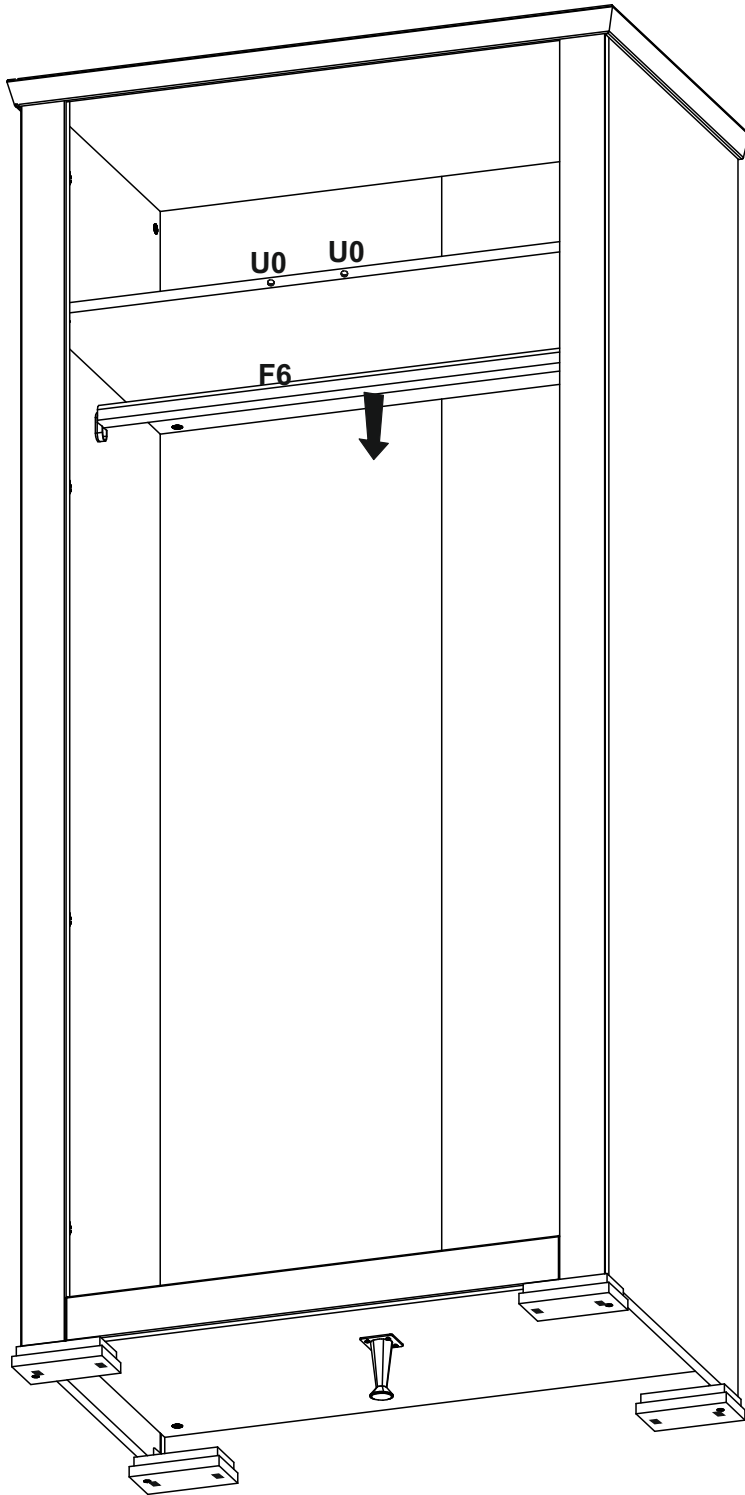
0

x1

U0

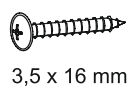


x2



# 9

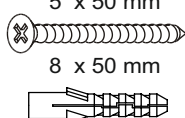
**D17**



3,5 x 16 mm

**x4**

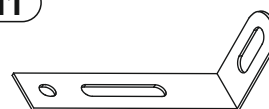
**E4**



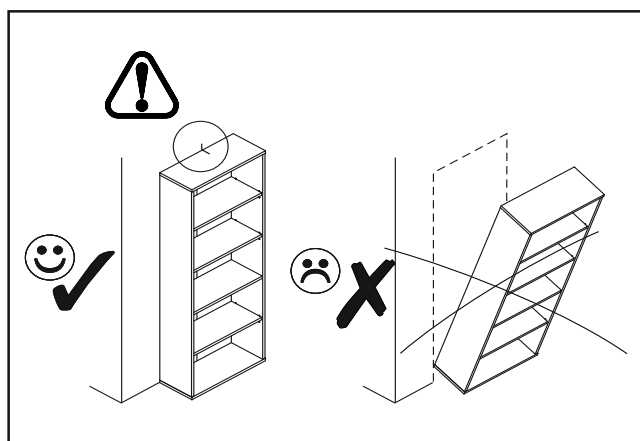
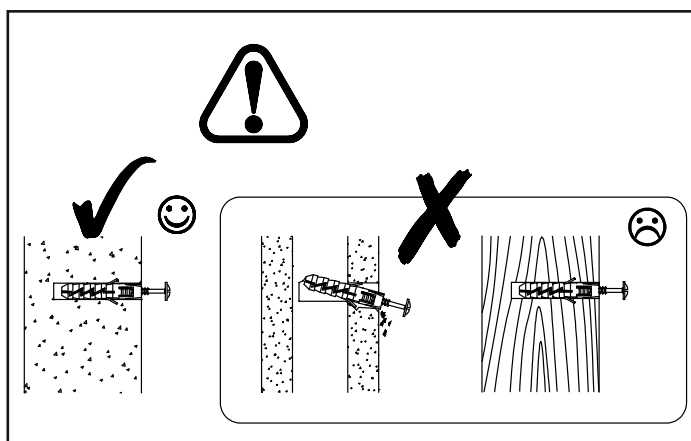
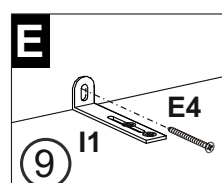
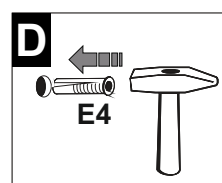
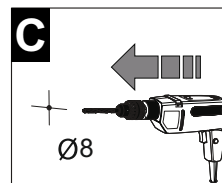
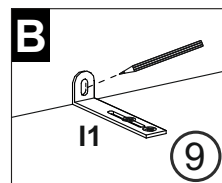
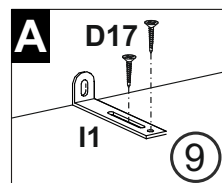
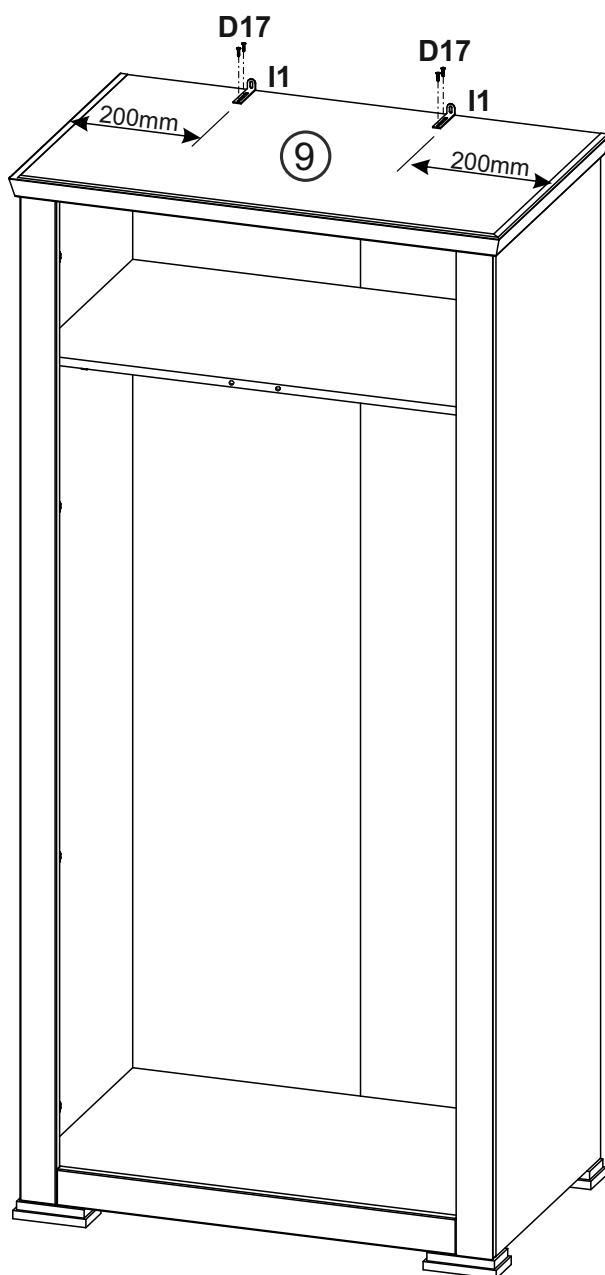
5 x 50 mm  
8 x 50 mm

**x2**

**I1**

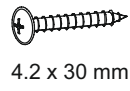


**x2**



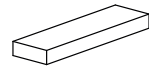
# 10

**D18**



**x4**

**L35**



**x2**

